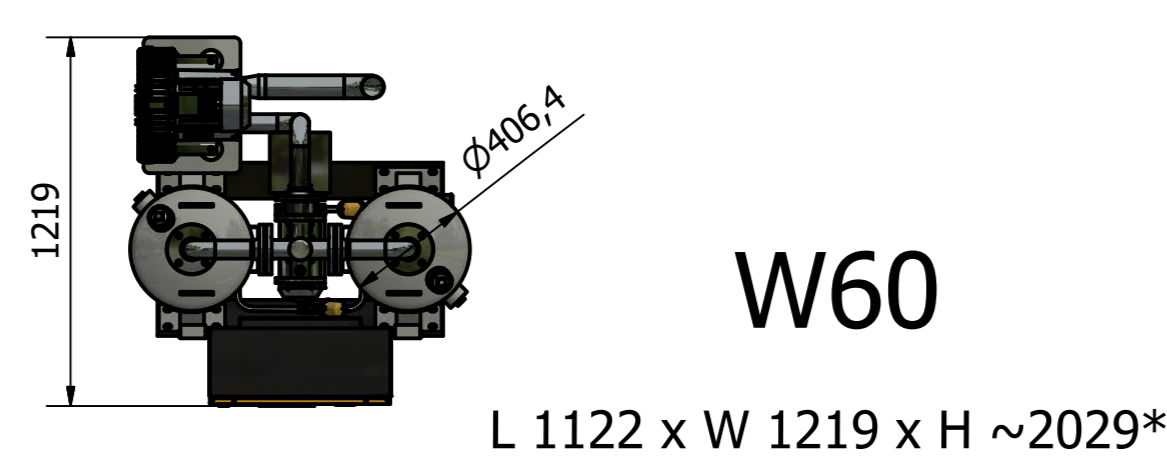


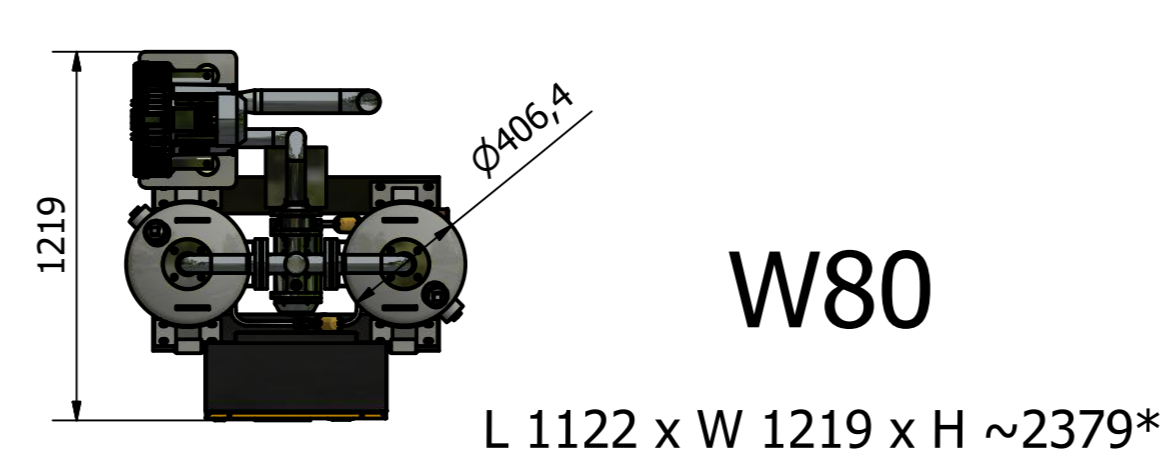
W45

L 1122 x W 1219 x H ~2029*



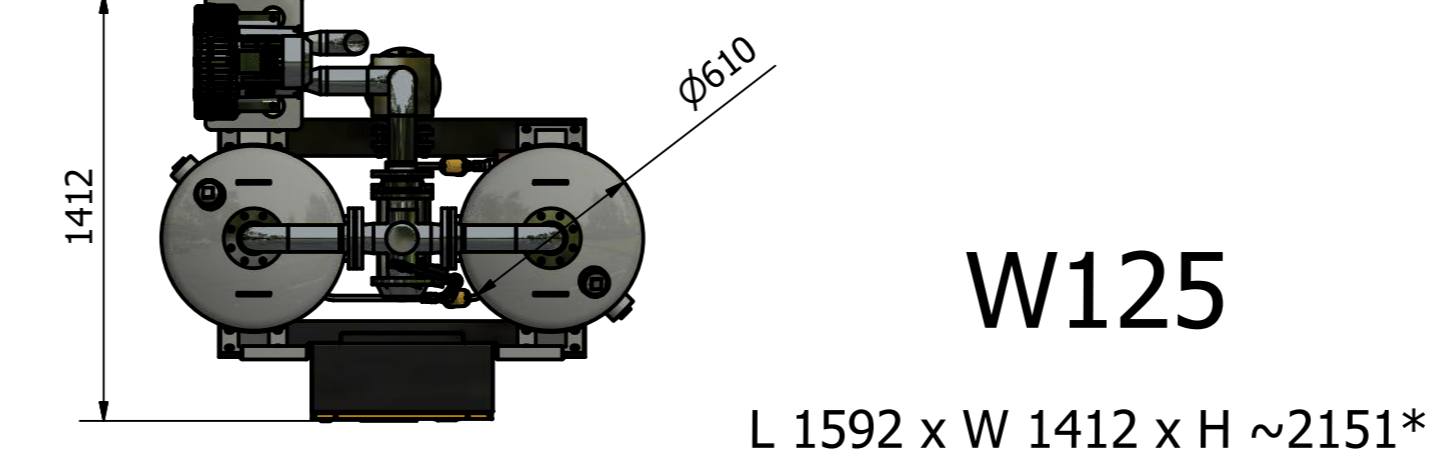
W60

L 1122 x W 1219 x H ~2029*



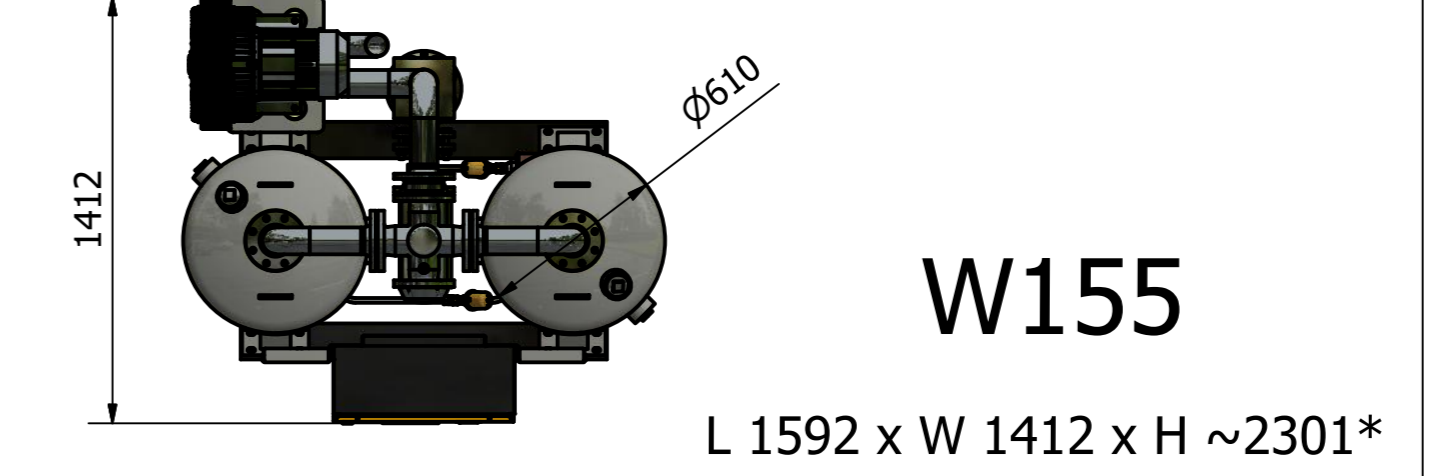
W80

L 1122 x W 1219 x H ~2379*



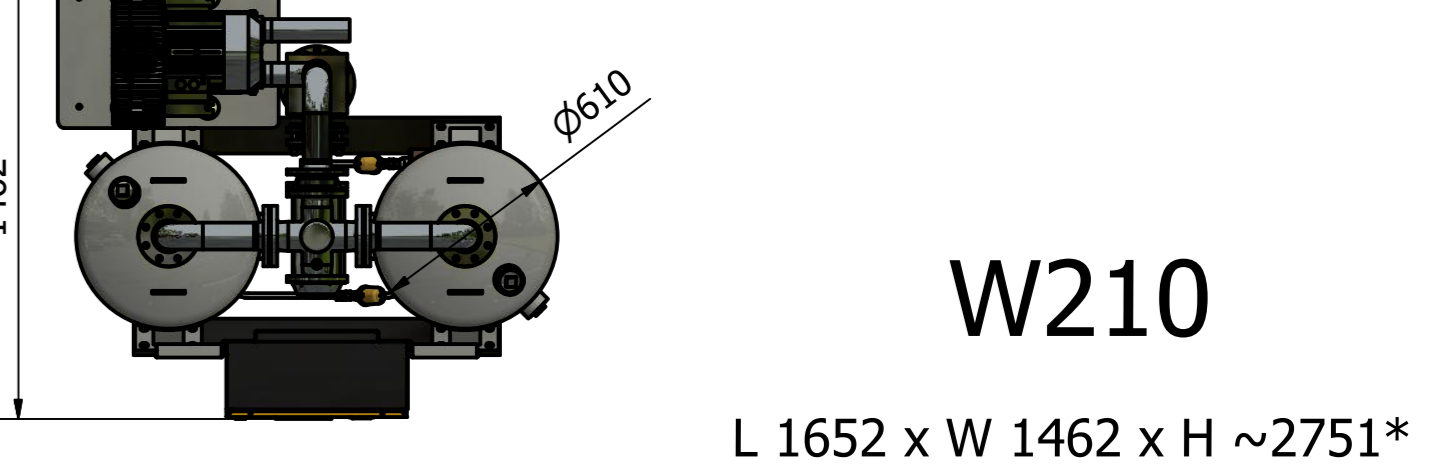
W125

L 1592 x W 1412 x H ~2151*



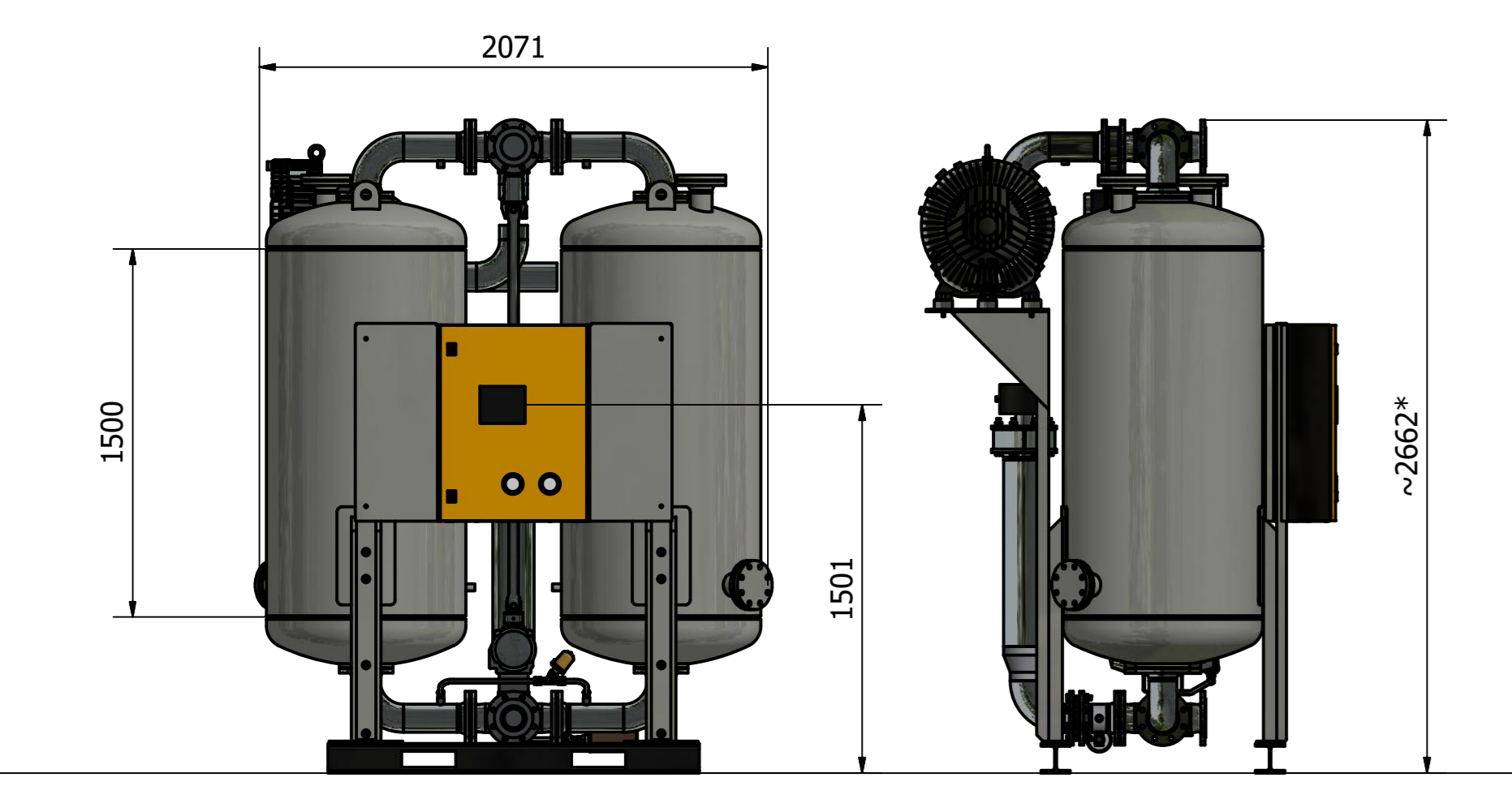
W155

L 1592 x W 1412 x H ~2301*



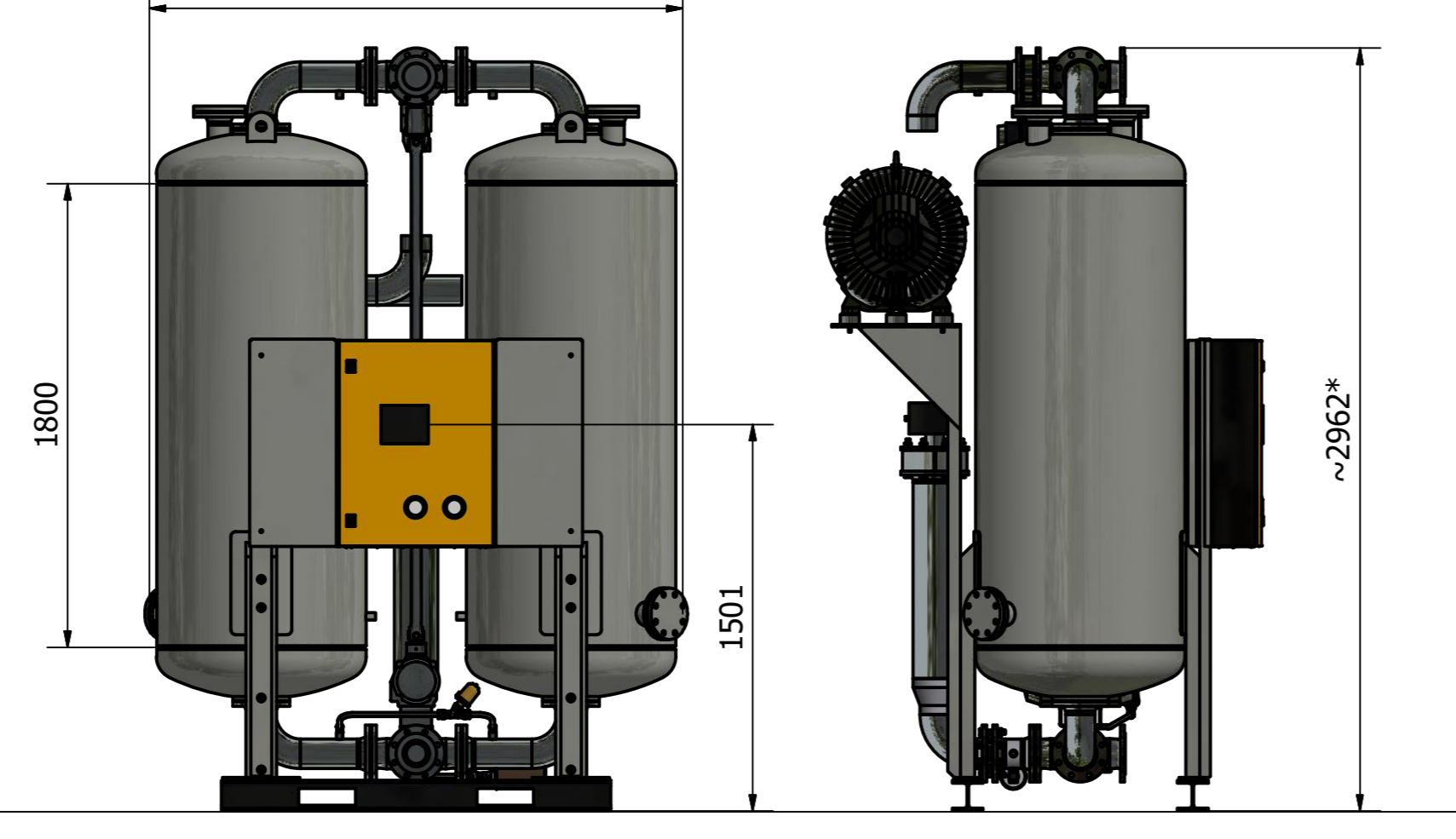
W210

L 1652 x W 1462 x H ~2751*



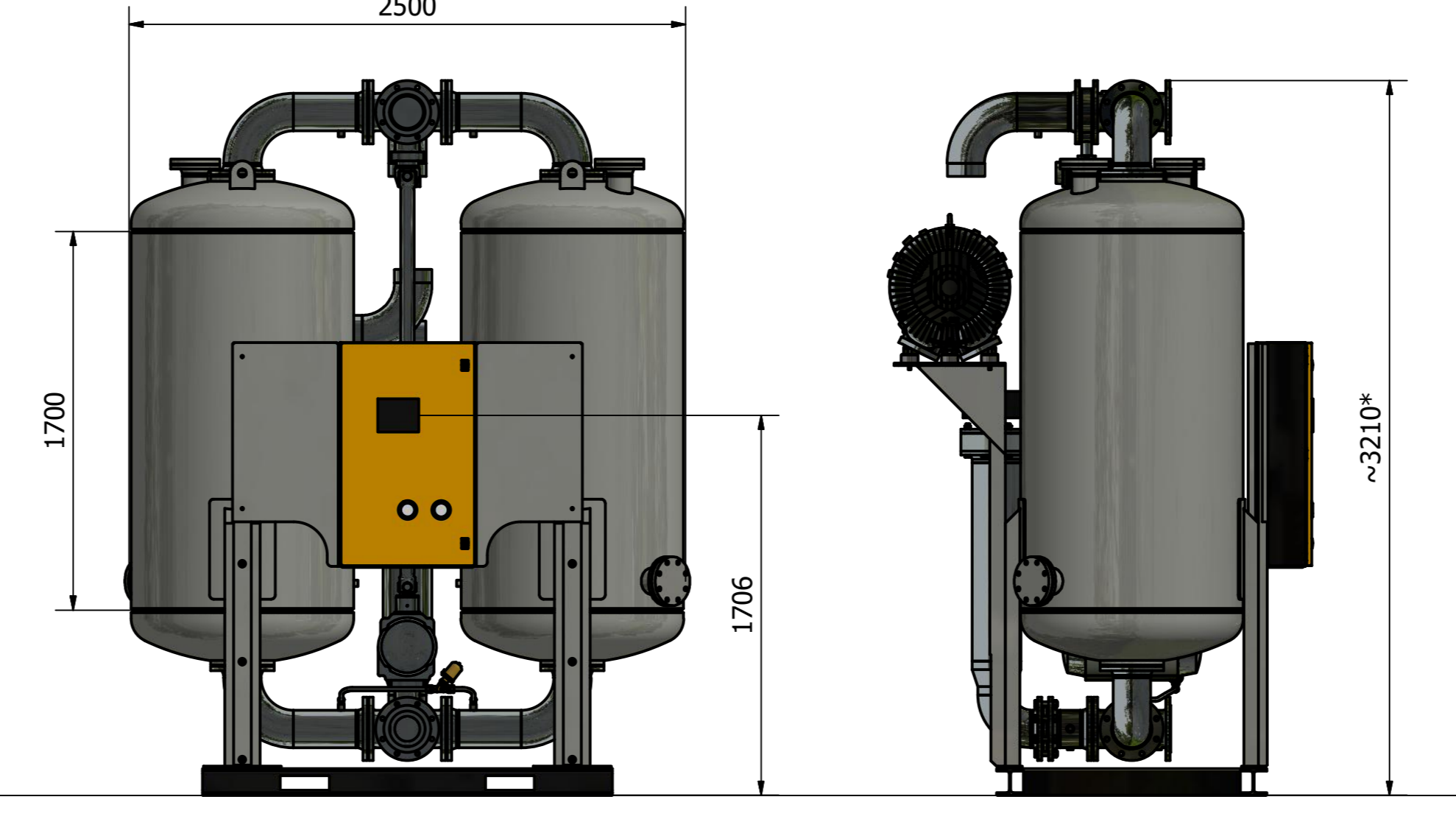
W310

L 2071 x W 1702 x H ~2662*



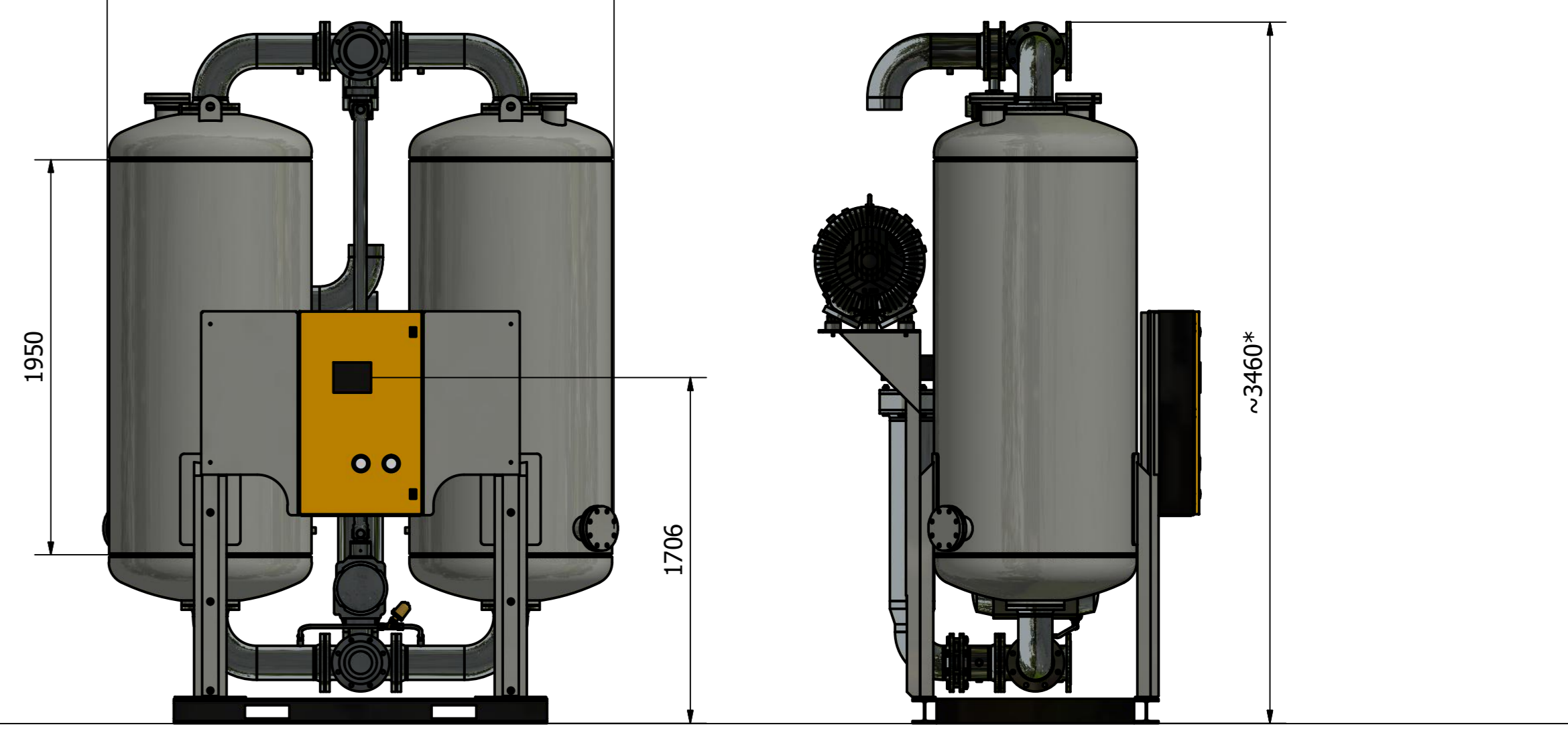
W370

L 2071 x W 1702 x H ~2962*



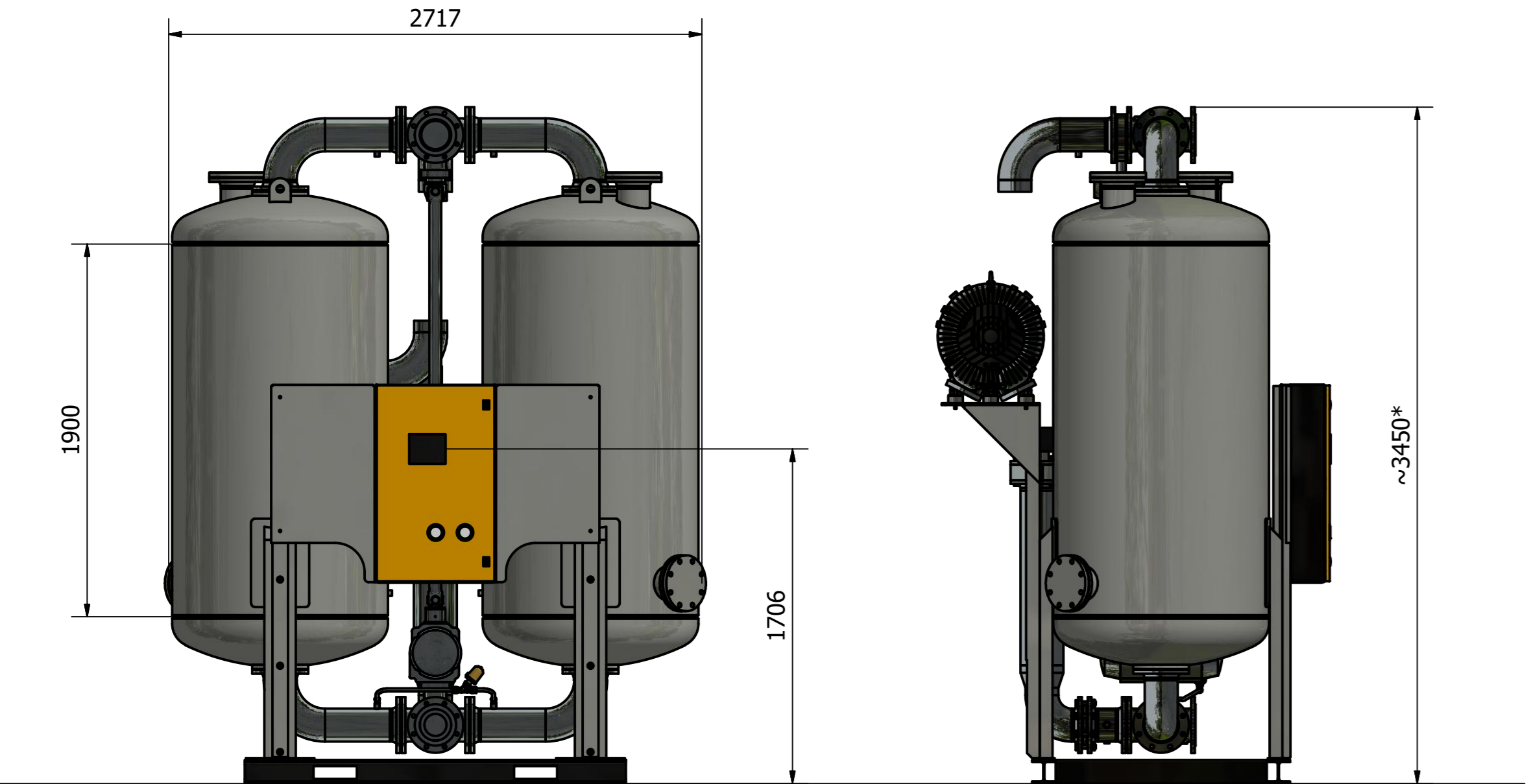
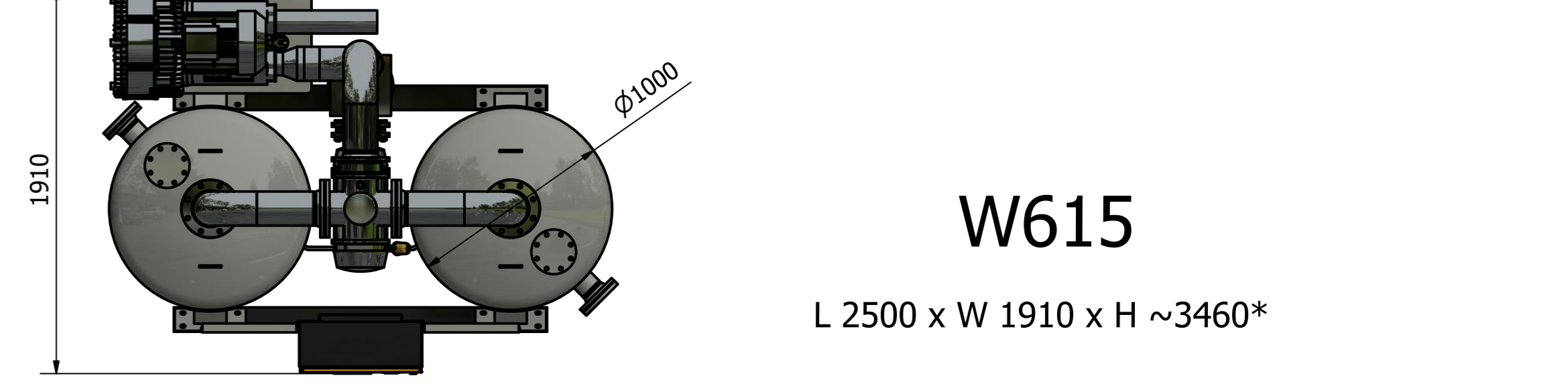
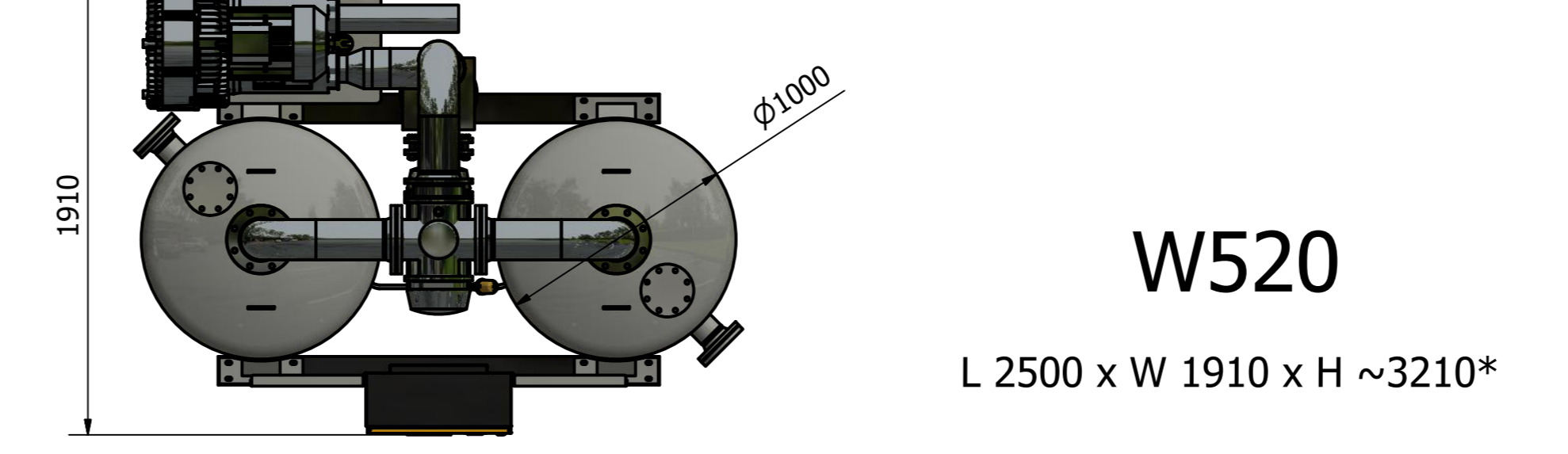
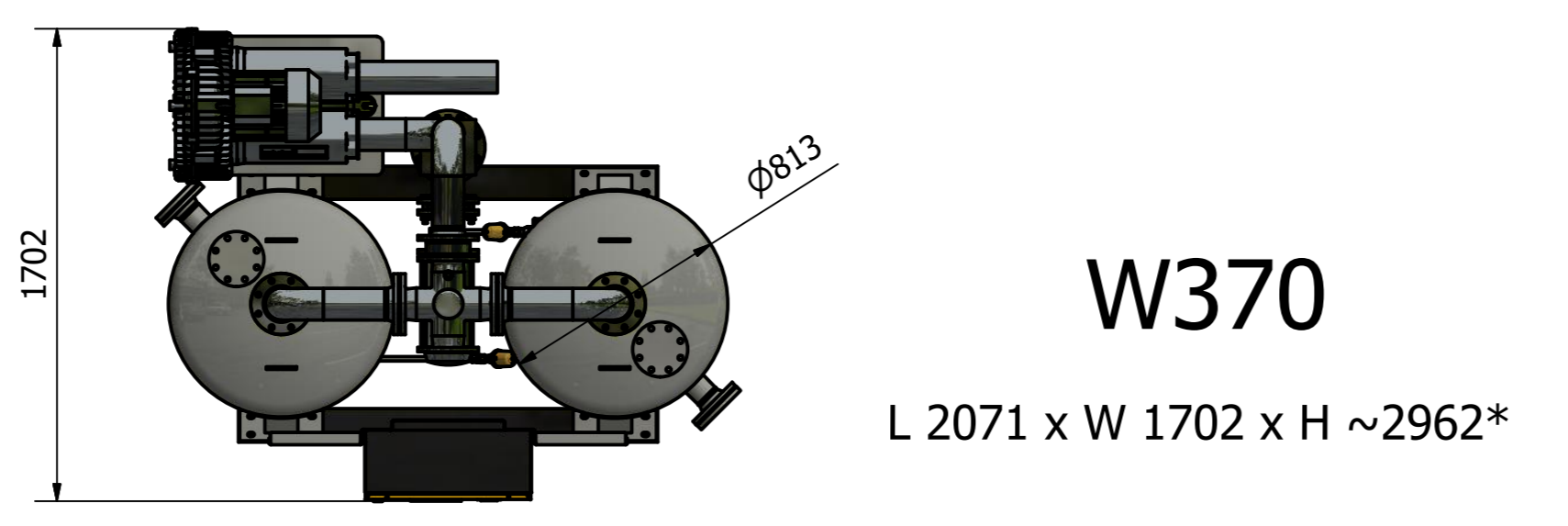
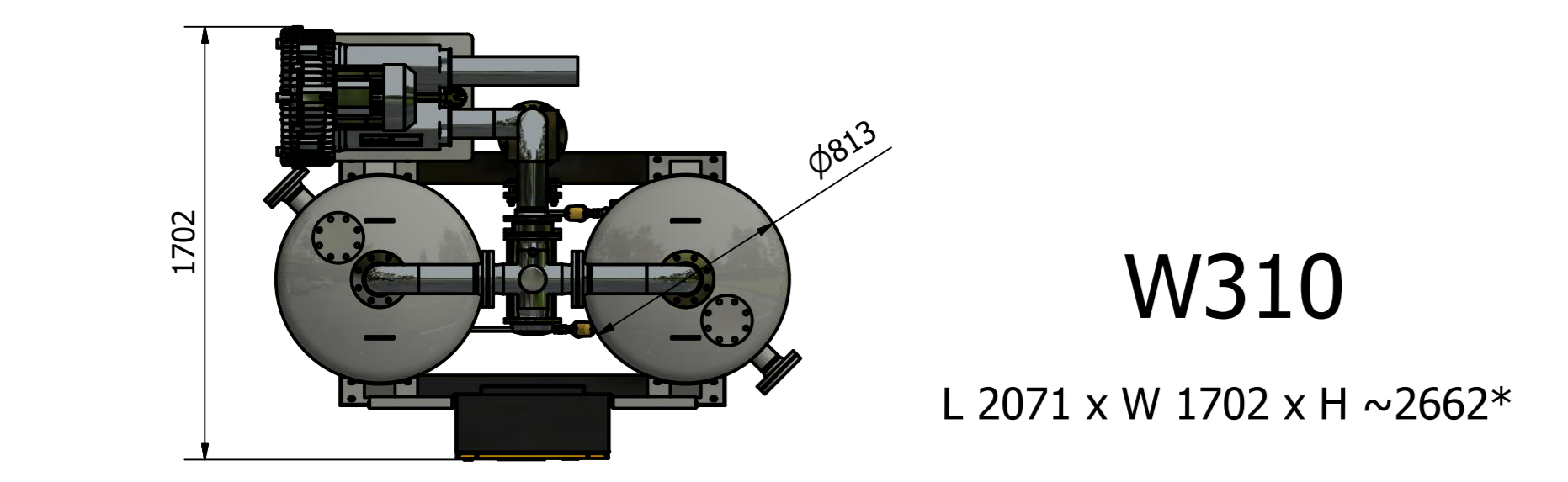
W520

L 2500 x W 1910 x H ~3210*



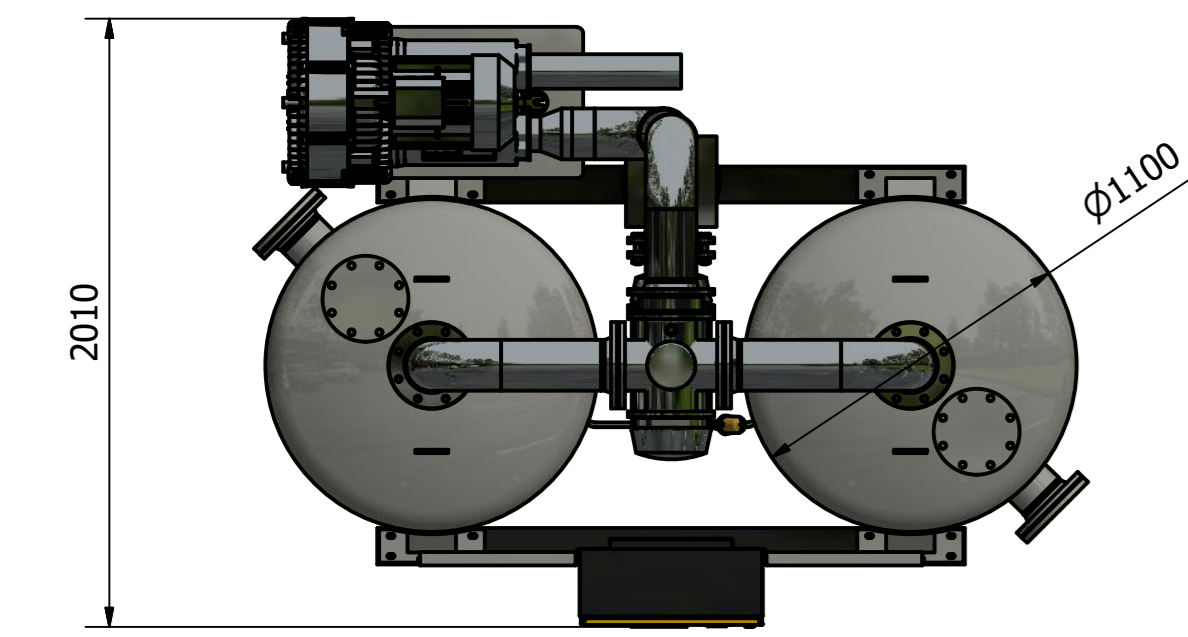
W615

L 2500 x W 1910 x H ~3460*



W750

L 2717 x W 2010 x H ~3450*



		Parker Hannifin Manufacturing S.r.l. Gas Separation and Filtration Division EMEA - Strada Zona Industriale* 2000 - S. Angelo di Po (TO) - ITALY	
LINE EN 22768 - rnk UNI EN ISO 13628 - AE ISO 1302		Checked/Approved by ENOVA process Author: MRO75398 DATE: 28/11/2012 DRAWING NO.: SCALE: 1:25 MASS: kg MATERIAL: MMH SPEC. FOR ISSUANCE:	
ISO 128-30 Method 1		PROSPETTO ASSIEMI WVM 5th GEN	
REV: 1		SHEET: 1 / 1	

*: Height may increase up to 30mm